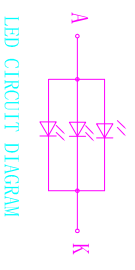
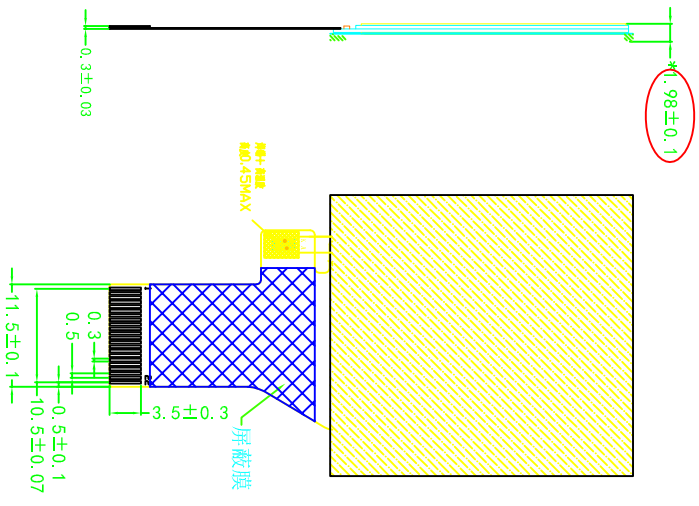
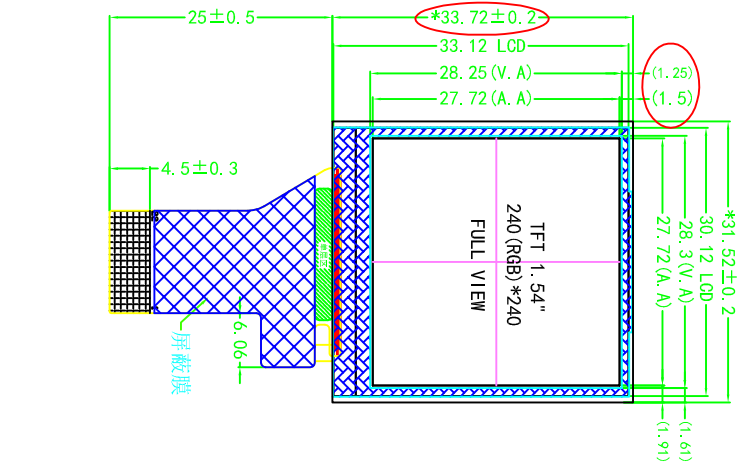




VER	REVISION RECORD	Date	Name
A	NEW RELEASE	2020/11/04	L1
B			
C			



原接口	八位并口接法	SPI 4线串口接法
1 LEDA	1 LEDA	1 LEDA
2 LEDK	2 LEDK	2 LEDK
3 IM2	3 GND	3 VDD 2.8
4 IM1	4 GND	4 VDD 2.8
5 IM0	5 GND	5 GND
6 VDD 2.8	6 VDD 2.8	6 VDD 2.8
7 DB7	7 DB7	7 GND
8 DB6	8 DB6	8 GND
9 DB5	9 DB5	9 GND
10 DB4	10 DB4	10 GND
11 DB3	11 DB3	11 GND
12 DB2	12 DB2	12 GND
13 DB1	13 DB1	13 GND
14 DB0	14 DB0	14 GND
15 RD	15 RD	15 GND
16 WR	16 WR	16 A0
17 RS	17 RS	17 SCLK
18 CS	18 CS	18 CS
19 TE	19 TE	19 TE
20 RESET	20 RESET	20 RESET
21 SDA	21 GND	21 SDA
22 GND	22 GND	22 GND

- NOTE
- Lcd Display Type: 1.54TFT, 240*240, IPS(HSD)
 - Polarizer Mode: Transmissive, normally BLACK
 - Viewing Direction: ALL
 - Logic Supply Voltage: 3.0V
 - Control IC: ST7789V2
 - Backlight: White(3*Led), Lled=45Ma, Vled=3.0V
 - Backlight brightness and uniformity: 300cd/m2, >=80%
 - Operating Temp: -20 TO 70°C
 - Storage Temp: -30 TO 80°C
 - Connector: FPC
 - Ulteriorly Tolerance: ±0.2MM

深圳市集目显示技术有限公司
Shenzhen Eagle Vision Display Technology Co., Ltd

LCM TYPE
1.54 inch TFT
Material No.

Dwg:	CUSTOMER		
Check:	MODULE	LMT0154A1W22P03	SCALE: 1:1
	Visual Angle		SHEET 1 OF 1