

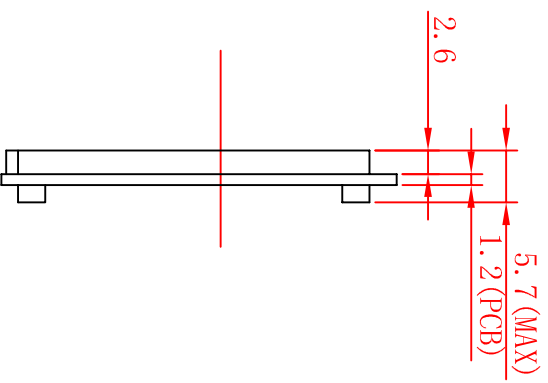
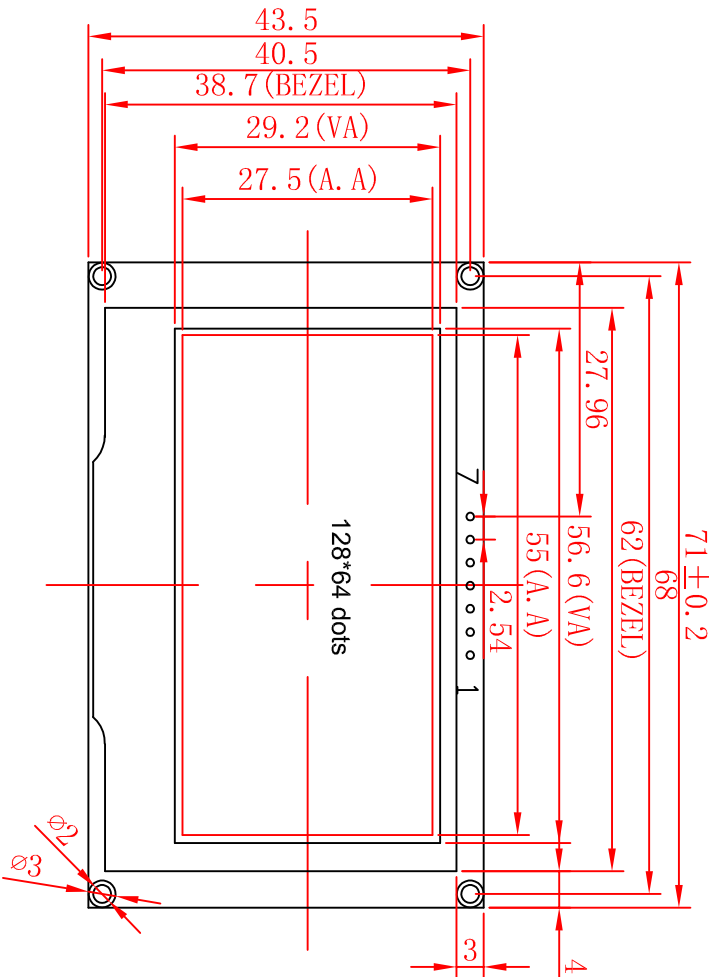
# Outline Drawing

客户确认签名  
Customer approved

日期  
Date



VER	REVISION RECORD	Date	Name
A	NEW RELEASE	2021/03/09	ZHAO
B			
C			



## PINS DESCRIPTION (接口定义)

PIN	SYMBOL	FUNCTION
1	GND	GROUND (逻辑地)
2	VCC	POWER SUPPLY PIN (逻辑电源正: 3.3V/5.0V)
3	SCLK	SERIAL CLOCK (串口时钟信号)
4	SDA	SERIAL DATA (串口数据信号)
5	RES	RESET (复位信号)
6	DC	COMMAND AND DATA SELECT (命令数据选择)
7	CS	CHIP SELECT (片选信号, 低电平有效)

EVD242IM7DW01
EV---Company Code
D---OLED
242---Panel size 2.42 inch
I---Serial No. A-Z
M---Module: P--Panel
7---Interface pin
D---SPI&IIC Interface
W---Display color: White/Blue/Green/Yellow
01---Ver. No.

## NOTE

1. Display Type: 2.42" PM-OLED, 128x64
2. Viewing Direction: ALL
3. Logic Supply Voltage: 3.0V(SSD1309), VCC=3.3V OR 5.0V
4. OLED Panel driving voltage: 13.5V
5. Control IC: SSD1309
6. Display color: White
7. Operating Temp: -40 TO 70
8. Storage Temp: -40 TO 85°C
9. Utterorly Tolerance: ±0.2MM



深圳市隼目显示技术有限公司  
Shenzhen Eagle Vision Display Technology Co., Ltd

LCM TYPE  
2.42" OLED  
Material No.

Dwg:	CUSTOMER	Visual Angle	SHEET 1 OF 1
Check:	MODULE	EVD242IM7DW01	SCALE: 1:1
Dim:	MM		