

Outline Drawing

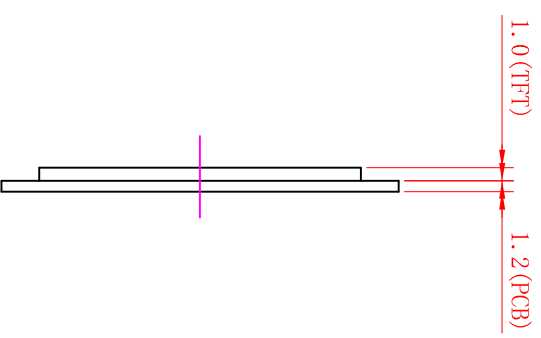
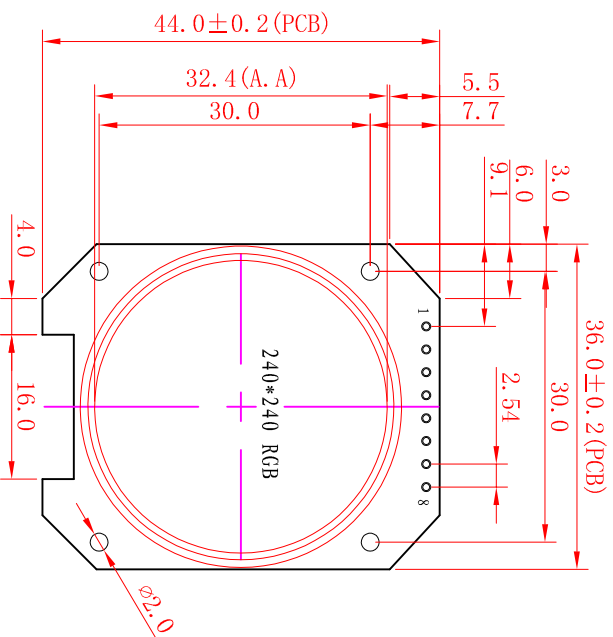
客户确认签名
Customer approved

日期
Date



VER	REVISION RECORD	Date	Name
A	NEW RELEASE	2020/12/22	L1
B			
C			

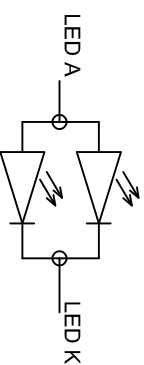
PIN	NAME
1	GND
2	VCC
3	SCL
4	SDA
5	RES
6	DC
7	CS
8	BLK



NOTE

- 1.Lcd Display Type: 1.28 TFT,240*240, TN
- 2.Polarizer Mode: Transmissive, normally white
- 3.Viewing Direction: 12 O'CLOCK
- 4.Logic Supply Voltage: 3.3V
- 5.Control IC: GC9A01/ST7789V2
- 6.Backlight: White(2*1 Led),ILED=40mA, Vled=3.0V
- 7.Backlight brightness and uniformity: 250cd/m2, >=85%
- 8.Operating Temp: -20 TO 70
- 9.Storage Temp: -30 TO 80°C
- 10.Connector:
- 11.Utteriorly Tolerance: ±0.2MM

BACKLIGHT CIRCUIT



Iled=40mA, Vled=3.0V



深圳市隼目显示技术有限公司
Shenzhen Eagle Vision Display Technology Co., Ltd

LCM TYPE

1.28 TFT

Material No.

Dwg: CUSTOMER

Check: MODULE

SCALE: 1:1

Dim: MM



SHEET 1 OF 1

EVT0128ATW8S01B