

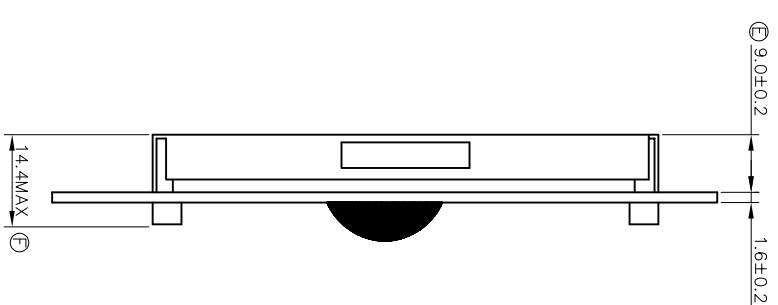
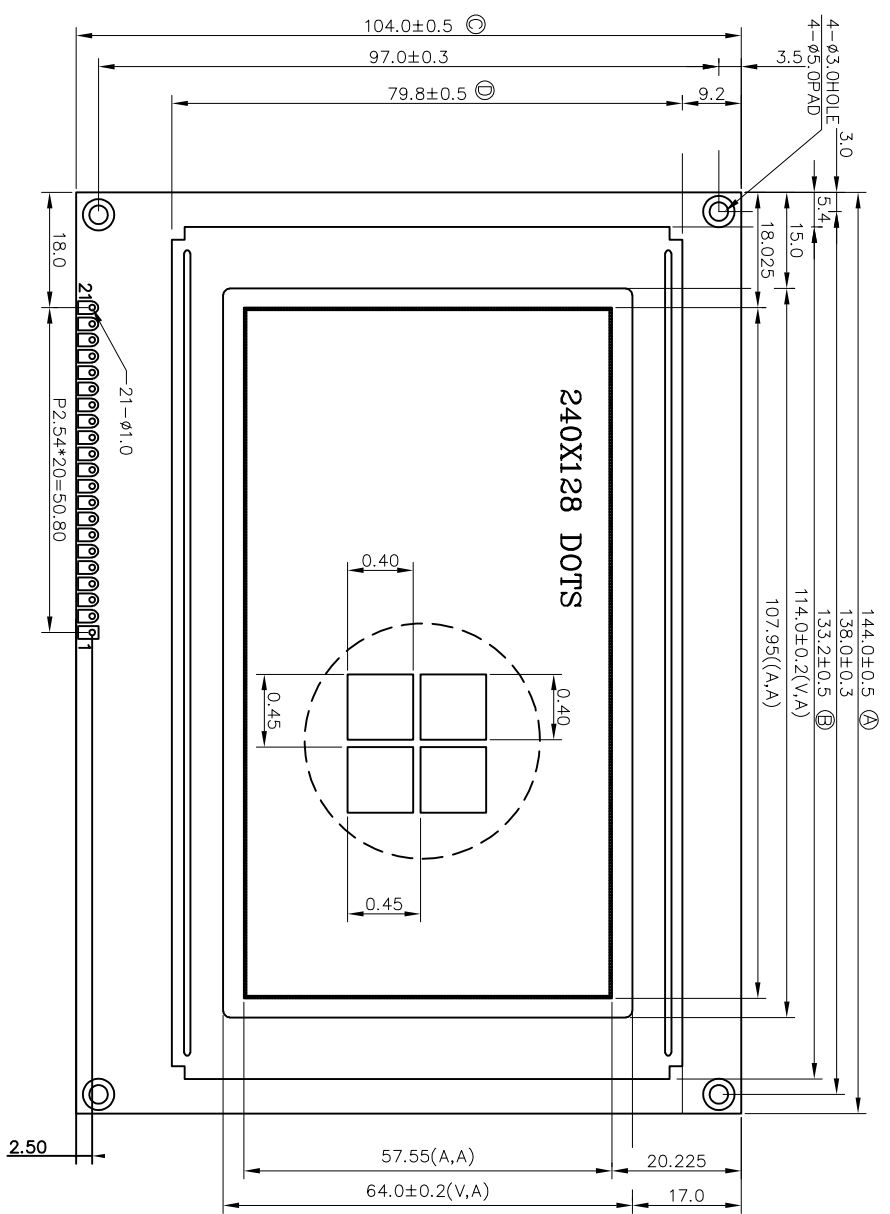
Outline Drawing

客户确认签名
Customer approved

日期
Date



VER	REVISION RECORD	Date	Name
A	NEW RELEASE	2008/05/15	king
B	更换控制IC和驱动IC	2010/07/20	king
C	更改LCD工作温度	2010/12/15	king
D	更改模组型号	2020/09/05	zhao



PIN NO.	SYMBOL
1	VDD
2	VSS
3	V0
4	C/D
5	/RD
6	/MR
7	DB0
8	DB1
9	DB2
10	DB3
11	DB4
12	DB5
13	DB6
14	DB7
15	CE
16	RESET
17	VEE
18	MD2
19	FS
20	A
21	K

NOTE

1. Lcd Display Type: STN, BLUF, 240*128 dots
2. Polarizer Mode: Transmissive, negative
3. Viewing Direction: 6 O'CLOCK
4. Logic Supply Voltage: 5.0V
5. Control IC: UC16963
6. Drive Method: 1/12Bias, 1/128Duty, VOP=21.0V
7. Backlight: White, Vled=3.3V
8. Operating Temp: -20 TO 70°C
9. Storage Temp: -30 TO 80°C
10. LCD Connector: ZEBRA
11. Ulteriorly Tolerance: ±0.2MM

E.V.T Shenzhen Eagle Vision Display Technology Co., Ltd		LCM TYPE	MONO LCM
Dwg:	CUSTOMER	Material No.	
Check:	MODULE	SCALP:	1:1
Dim: MM	Visual Angle	SHEET	1 OF 1
深圳市集目显示技术有限公司			
Shenzhen Eagle Vision Display Technology Co., Ltd			
E.V.T			
CUSTOMER			
MODULE			
EYG240128BSBW04			
Visual Angle			
SHEET 1 OF 1			