

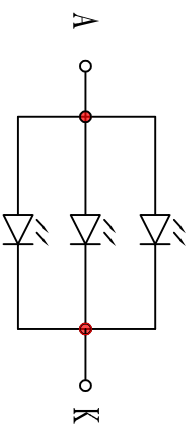
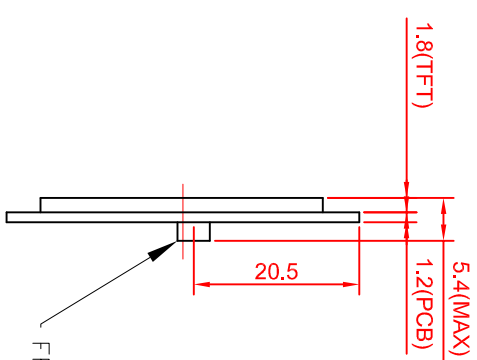
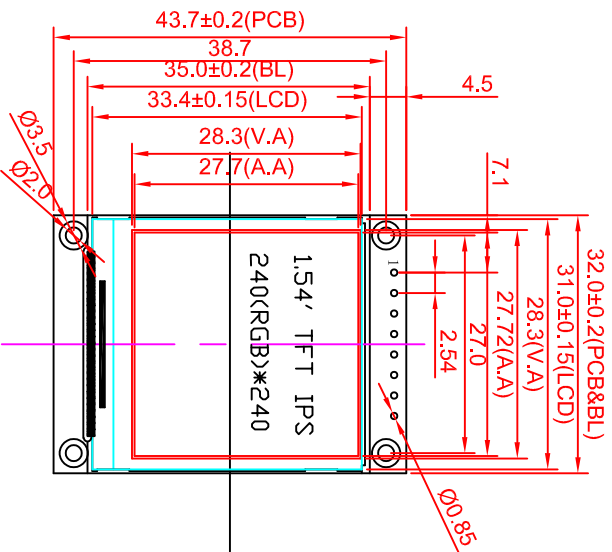
Outline Drawing

客户确认签名
Customer approved

日期
Date



VER	REVISION RECORD	Date	Name
1.0	NEW RELEASE	2020/07/11	zhang
1.1	修正PC插座位置	2020/08/22	zhang
C			



BACKLIGHT CIRCUIT DIAGRAM VLED=3.0V ILED=60mA

NOTE

- 1.Lcd Display Type: 1.54 'TFT,240*240,IPS
- 2.Polarizer Mode:Transmissive,normally white
- 3.Viewing Direction: ALL
- 4.Logic Supply Voltage: 3.3V
- 5.Control IC: ST7789V2
- 6.Backlight: White(3*1 Led),ILED=60mA,Vled=3.0V
- 7.Backlight brightness and uniformity: 300cd/m2,->=85%
- 8.Operating Temp: -20 TO 70
- 9.Storage Temp: -30 TO 80℃
- 10.Connector:
- 11.Ultieriorly Tolerance:±0.2MM

PINS DESCRIPTION (接口定义)

PIN	SYMBOL	FUNCTION
1	GND	GROUND (逻辑地)
2	VCC	POWER SUPPLY PIN (逻辑电源:3.3V MAX)
3	SCL	CLOCK (串口时钟信号)
4	SDA	DATA (串口数据信号)
5	RES	RESET (复位信号)
6	DC	COMMAND AND DATA (指令/数据控制信号)
7	CS	TFT SELECT (显示屏片选信号, 低电平有效)
8	BLK	BACKLIGHT SELECT (背光控制信号, 高电平点亮)



深圳市集目显示技术有限公司
Shenzhen Eagle Vision Display Technology Co., Ltd

LCM TYPE
1.54吋 TFT
Material No.

Dwg:	CUSTOMER		Material No.
Check:	MODULE	EVT0154A1W8S02B	SCALE: 1:1
Dim:	Visual Angle		SHEET 1 OF 1